

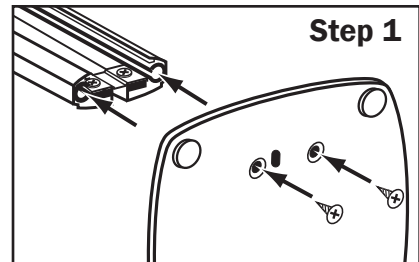
### Congratulations!

The HTB-707DV Home Theater System will make enjoying entertainment at home more fun than ever. To connect your speakers to the receiver follow the instructions on this sheet. To learn how to operate your receiver please read and follow the instruction manual included in the receiver's box. If you're also connecting other equipment, such as a TV, VCR, DVD player, CD player or other source component, use the receiver's manual in combination with the manuals that came with those components.

### Assembling the speaker stands

**Important: Do not connect the speaker wires to the receiver until after you have completely assembled the stands.**

- Using the short screws, attach the stand rail to base as shown.



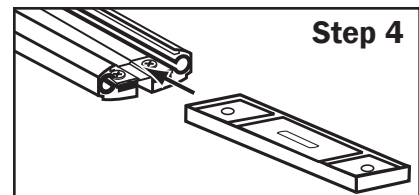
- The open side of the rail faces the rear of base
- Tighten the screws snugly, but do not over-tighten them.

- Feed approx. 12" of speaker wire up through the hole in the base.

- Use the wire with the white bands for the left speaker; use the wire with the red bands for the right speaker (see large illustration).

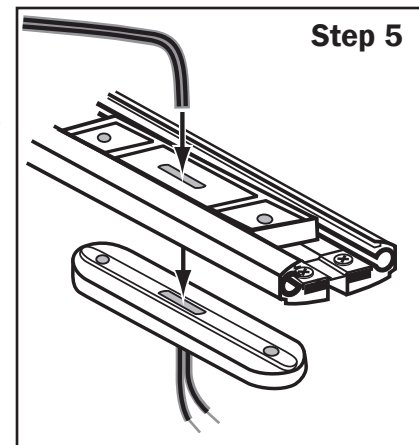
- Tilt the base on a flat surface with the open side of the rail facing up.

- Slip the gray spacer into the rail as shown.



- Correct orientation of the gray spacer is important — the screws will only fit if the spacer is inserted correctly.

- Bring the speaker wire through the oval holes in both the gray and white spacers as shown.

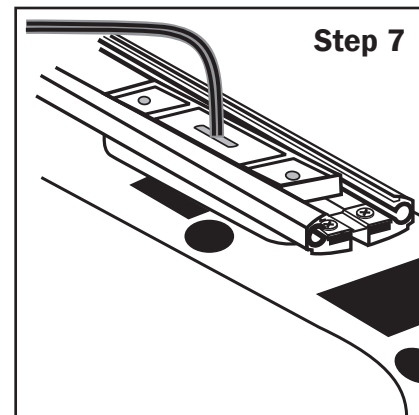


- Correct orientation of the white spacer is important — the screws will only fit if the spacer is oriented correctly. The ridge in the white spacer fits into the groove in the rail.

- Connect the speaker wire to the speaker: Hold the connectors open, insert the bare portions of the wire all the way into the openings and release the connectors.

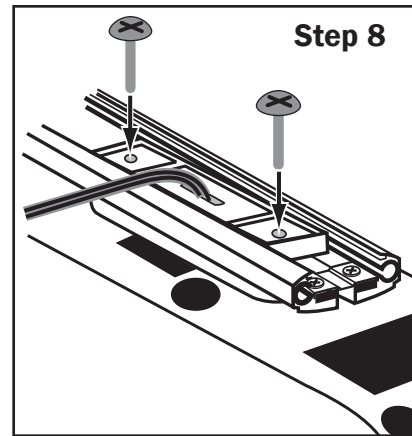
- Make sure the wires do not touch each other — touching wires will cause a short circuit that could damage the receiver.
- Insert the wire with the white stripe into the red connector; insert the plain wire into the black connector

- Gently pull the excess wire back through the spacers and place the rail/spacer assembly against the speaker, aligning the holes in both spacers with the holes in the speaker.



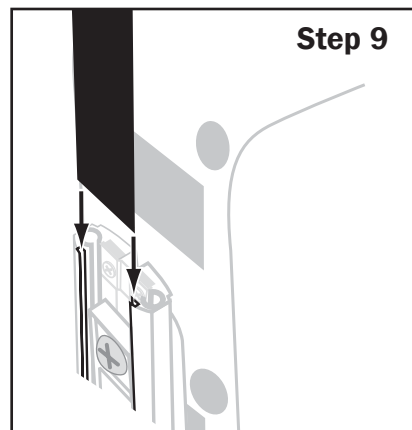
- Make sure you don't disconnect the wires from the speaker.
- The ridge in the white spacer fits into the groove in the rail.

- Insert the large screws through the holes in both spacers and tighten them snugly into the speaker, as shown. Don't over-tighten the screws.



- Stand the speaker upright and gently pull the excess speaker wire through the hole in the base. Slip the wire cover into the small groove in the top of the rail and slide it all the way down into the rail, as shown.

- Fit the cap on the top of the rail.



- To adjust the height of the speaker on the stand, remove the cap and wire cover, loosen the screws and move the speaker along the rail, then re-tighten the screws.
- Make sure you don't disconnect the wires from the speaker when you're adjusting the height.

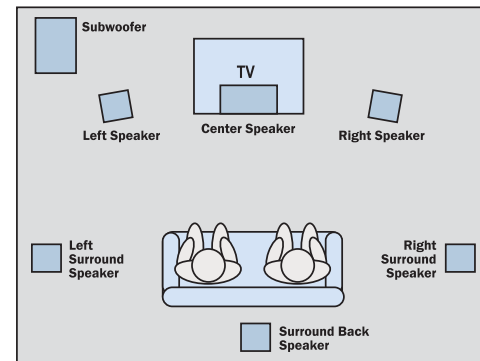
### Placing Your Speakers

Place the speakers as shown in the diagram below. While you're setting the speakers up, keep these points in mind:

- If the subwoofer causes discoloration of the TV picture, move it away from the TV until the discoloration disappears.
- Since the center speaker is magnetically shielded, you can place it right on top of the TV without worrying about picture discoloration.
- You can hang the speakers on the wall using heavy-duty picture hangers.
- Placing the subwoofer next to a wall yields more deep bass output than placing it away from a wall. Placing the subwoofer in a corner yields the deepest bass output overall.

The subwoofer will sound good just about anywhere in the room. Place it so the side-firing woofer isn't blocked.

Place the center speaker above or below the center of your TV. Angle it down or up to aim it directly at the listeners.



Place the left and right speakers on each side of your TV. Angling them towards the listeners improves the stereo effect.

Place all 3 surround speakers as high as possible, directly to the sides and rear of the listening area, pointing at the listeners.

### Connecting Your Speakers

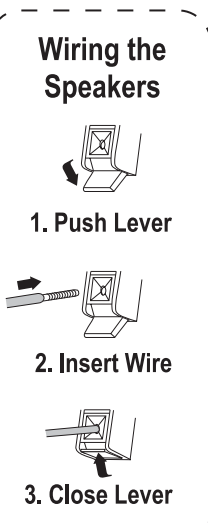
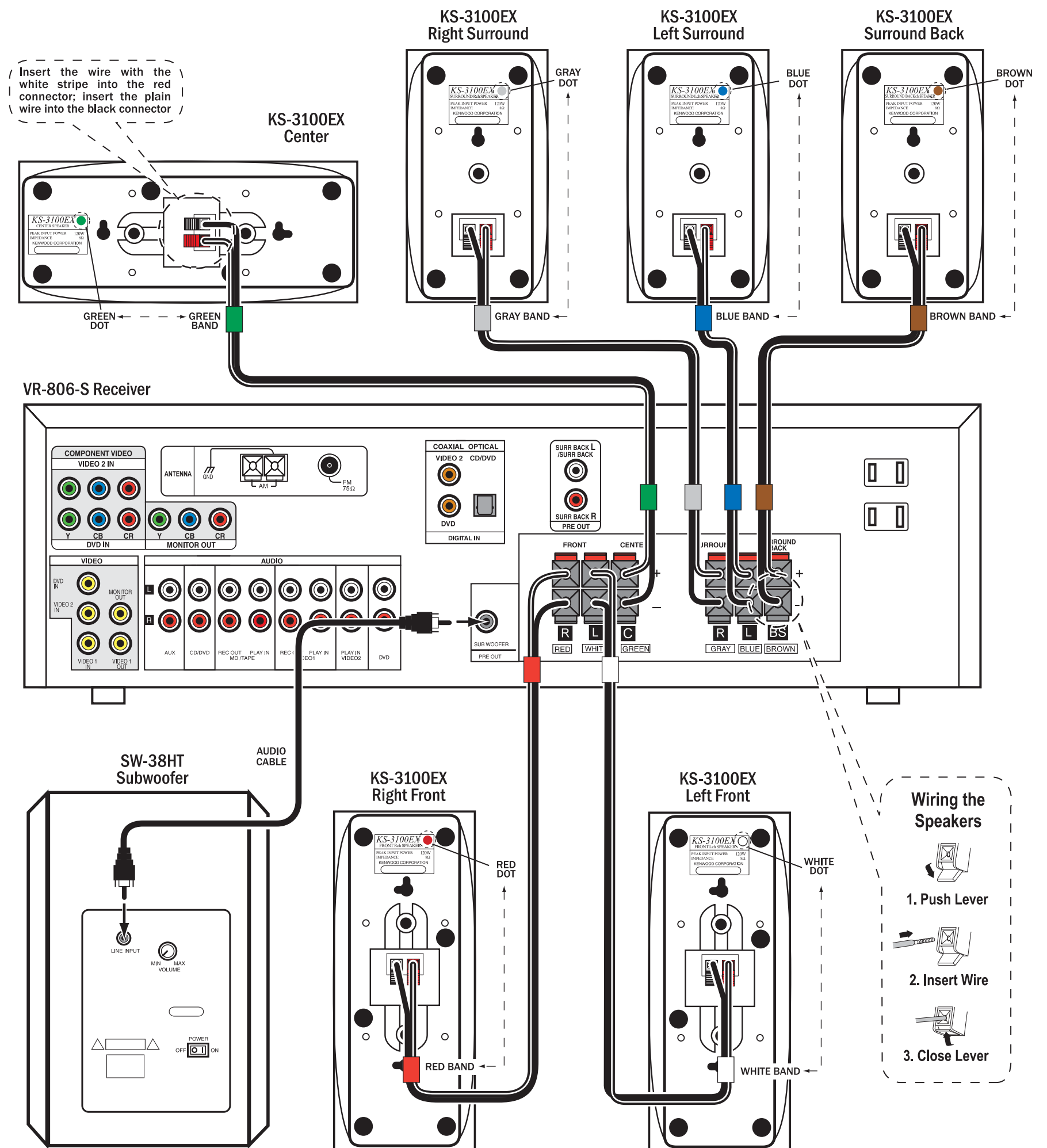
**Important: Do not plug the receiver's power cord into an AC outlet until you have properly connected all of the speakers.**

Connect the speakers as shown in the large diagram to the right.

To make connecting the speakers easier, we have placed color-coded bands on the speaker wire, placed corresponding color identification dots on the speaker labels, labeled the terminals on the receiver, and pre-stripped from the ends of the wire.

Connect the speaker wire with the colored bands to the correspondingly colored terminals on the speaker and receiver.

(continued on other side)



(continued from other side)

**Important:** Insert the wire with the white stripe into the red connectors; insert the plain wire into the black connectors. DO NOT PUSH THE WIRE TOO FAR INTO THE SPEAKER TERMINALS AS THIS WILL NOT ALLOW THE WIRE TO MAKE PROPER CONTACT.

The subwoofer connects to the receiver using the audio cable:

- Connect one end of the audio cable to the input connector on the subwoofer labeled LINE INPUT, and connect the other end to the connector on the receiver labeled SUB WOOFER PRE OUT.

### Using Your Subwoofer

#### Subwoofer Volume Control

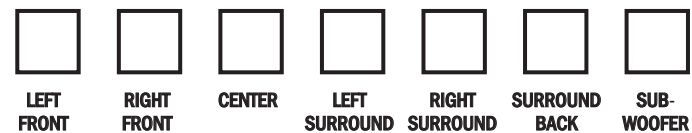
Initially, set the subwoofer's volume knob to the 11 o'clock position. During normal operation you will use the receiver's subwoofer volume control to adjust the subwoofer volume. If the receiver's subwoofer volume control won't go loud or soft enough, re-adjust the subwoofer's volume knob to compensate. See the receiver's instruction manual for details on using the receiver's subwoofer volume control.

### Balancing the Speakers

Your receiver comes with the speaker volume settings pre-balanced. If you have positioned the speakers as shown in the diagram your system will create a spacious surround sound environment right out of the box with no further adjustment required.

If your room is arranged differently than shown in the diagram, or if you simply want to fine-tune your system's performance, you can yield the deepest bass output overall. easily change the volumes of the individual speakers to get a better balance:

1. Press the **SETUP** button once. The display will read "SP SETUP".
2. Press the 'up' **MULTI CONTROL** button once. The display will change to "TEST TONE".
3. Press the **SETUP** button once again. The display will read "AUTO".
4. Press the 'up' **MULTI CONTROL** button once again. The display will read "MANUAL".
5. Press the **SETUP** button repeatedly until the speaker you want to adjust appears on the display. You will hear test noise through the speaker.
6. Use the 'up' and 'down' **MULTI CONTROL** buttons to increase and decrease the speaker's volume.
7. Do not be concerned with the volume level readout on the display while you're adjusting the speakers—this is for reference purposes only. However, once you have balanced all the speakers you should write each speaker's volume setting down here for reference:
8. Press the **SETUP** button repeatedly until the display reads "EXIT". Press the **SETUP** button once more to exit the setup mode.



### Setting the Speaker Distances

This last step adjusts the timing of all the speakers so that their sound arrives at the listening location at the proper time.

1. Measure the distance from each speaker to your seat. Write the distances down.
2. Press the **SETUP** button once. The display will read "SP SETUP".
3. Press the 'up' **MULTI CONTROL** button twice. The display will change to "DISTANCE".
4. Press the **SETUP** button once. The display will read "10FT 3.0M" and the left & right speaker icons will flash.
5. Press the **MULTI CONTROL** buttons until the display matches the distance from your left and right speakers to your listening position.
6. Press the **SETUP** button again and repeat step 5 for the center speaker, and again for the surround speakers.
7. When you've finished setting the speaker distances, press the **SETUP** button 2 times to exit the setup mode.

### Connecting the DVD Player to the Receiver

Connect the DVD player to the receiver as shown in the diagram on the right, using the cables supplied with the DVD player. You can plug the DVD player's power cord into one of the receiver's switched AC outlets.

#### Coaxial Digital Cable

The coaxial digital cable (black) carries the Dolby Digital and DTS digital audio bitstream to the receiver for decoding.

#### Audio and Composite Video Cables

The audio and composite video cables carry the standard analog audio and composite video signals to the receiver. Use the red wire for the right audio channel, the white wire for the left audio channel and the yellow wire for the video connection.

#### Component Video Connections

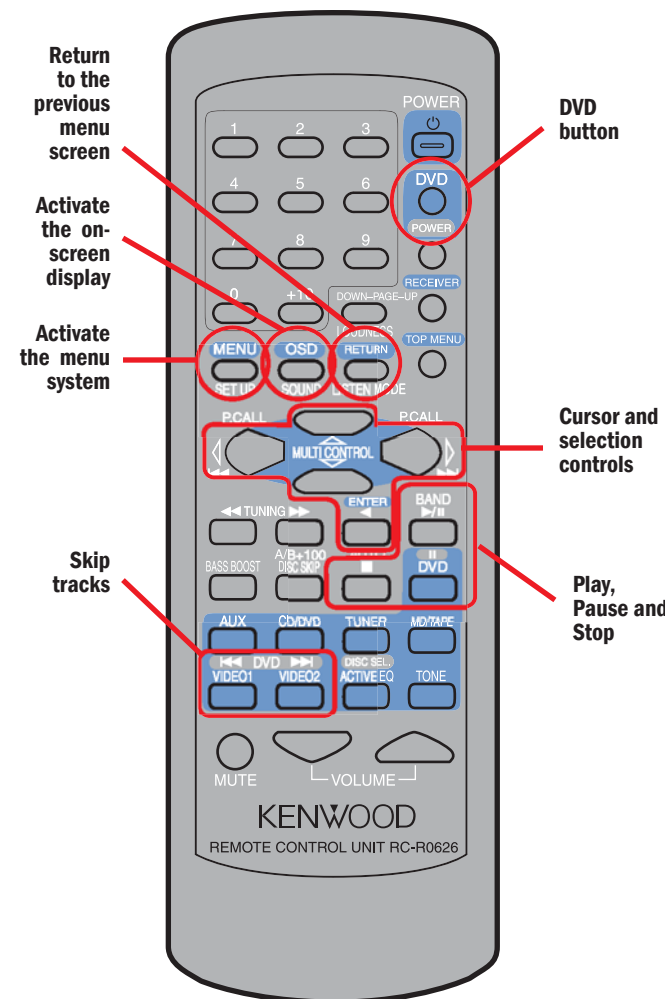
If you are using your HTB-707DV with an HD-capable TV or monitor you can use an optional Component Video cable to connect the DVD player to the receiver for improved video quality over the standard composite video connection. If you use a Component Video cable to connect the DVD player to the receiver you must also use a Component Video cable to connect the receiver to the TV or monitor.

### Controlling the DVD Player with the Receiver Remote

The receiver's remote comes pre-programmed ready to control the DVD player included with your HTB-707DV system.

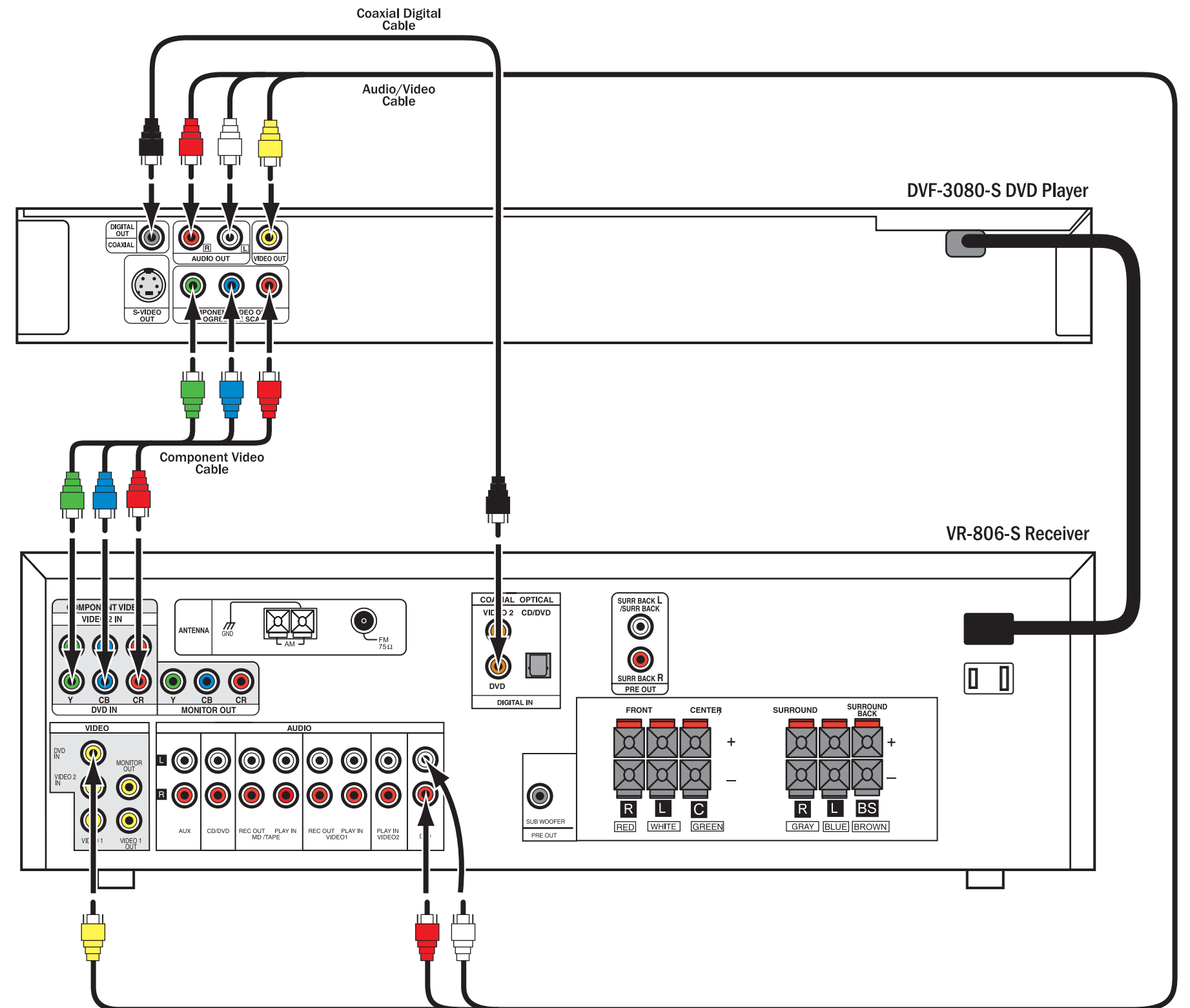
To operate the DVD player with the receiver's remote, press the DVD button, then press the button for the operation you want to perform.

Use these buttons on the receiver's remote to control the DVD player:



### Connecting Other Components

To connect your TV and other components to the receiver, refer to pages 9 - 13 of the receiver's instruction manual.



If you have any questions about your new Kenwood system, please contact our Customer Service Department at (800) KENWOOD or visit our Web site at [www.kenwoodusa.com](http://www.kenwoodusa.com)